

THE DRUM RACK

Designed by Jeff Porcaro
and Paul Jamieson

Jeff Porcaro's idea combined with Pearl's technology has produced an innovation in kit set-up . . . the special drum rack DR-1. Player designed to give you the utmost confidence when performing, this rugged rack lets you lock in your toms, cymbals, and hi-hats exactly where you want them. And once positioned, you are assured of the same set-up time after time . . . for all of your gear . . . until you decide to change. Super quick set-up and maximum stability allows you to devote all your energy to playing . . . worry free. The rack also accommodates your complete miking system using the optional PC-2 clamps.

The DR-1 is designed to be folded compactly with the clamps in place. Light weight aluminum posts with sturdy 4 mm thick steel joints withstand the heaviest set-up. And the rack fits into a one piece carton taking up far less space than the stands and holders it replaces. Teardown is quick and simple.

DR-1 comes complete with four (4) PC-1 clamps. Additional PC-1 and PC-2 clamps may be easily added to expand your set-up.

The Drum Rack is offered in two models:

- DR-1** for single bass drum use (H=27", W=53", D=46½")
- DR-2** for double bass drum use (H=27", W=65", D=46½")

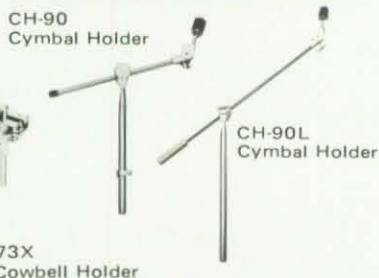
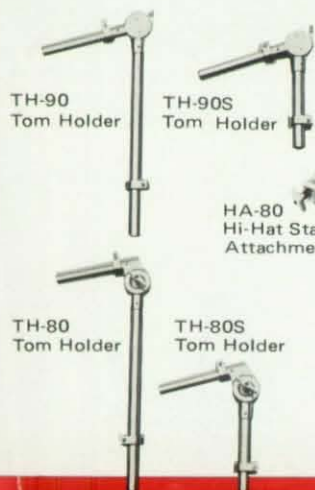
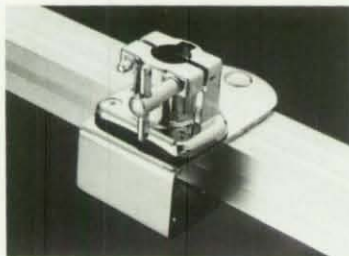


《Optional Accessories》

PC-1 Pipe Clamp

The Drum Rack comes equipped with four PC-1 clamps as a standard feature.

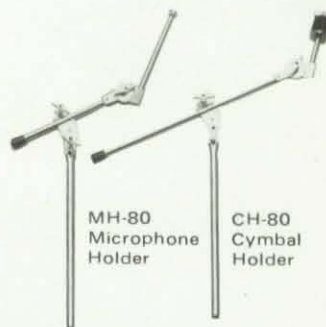
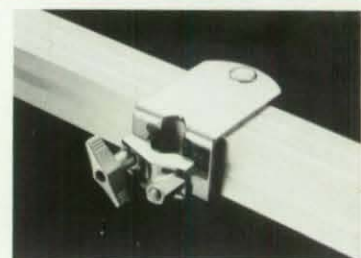
The PC-1 accepts Pearl's common 7/8" diameter pipe as illustrated below.



*Upper section of following cymbal stands also fits PC-1: B-900WL, B-900W, B-800W, B-800, C-900-W, C-800W, and C-800.

PC-2 Pipe Clamp

An optional accessory to either rack. Adjustable to accept any lightweight pipe. Used with the MH-80, microphones are easily mounted on the rack. The PC-2 accepts most holders now available as well as the Pearl holders illustrated below.



*In addition, the upper section of a cymbal stand fits the PC-2.

AX-30 Adaptor

Two of the three holes accept Pearl's common 3/8" diameter pipe. The third hole adjusts to accept from 5/8" through 1 1/8" pipe diameters to accommodate most holders.



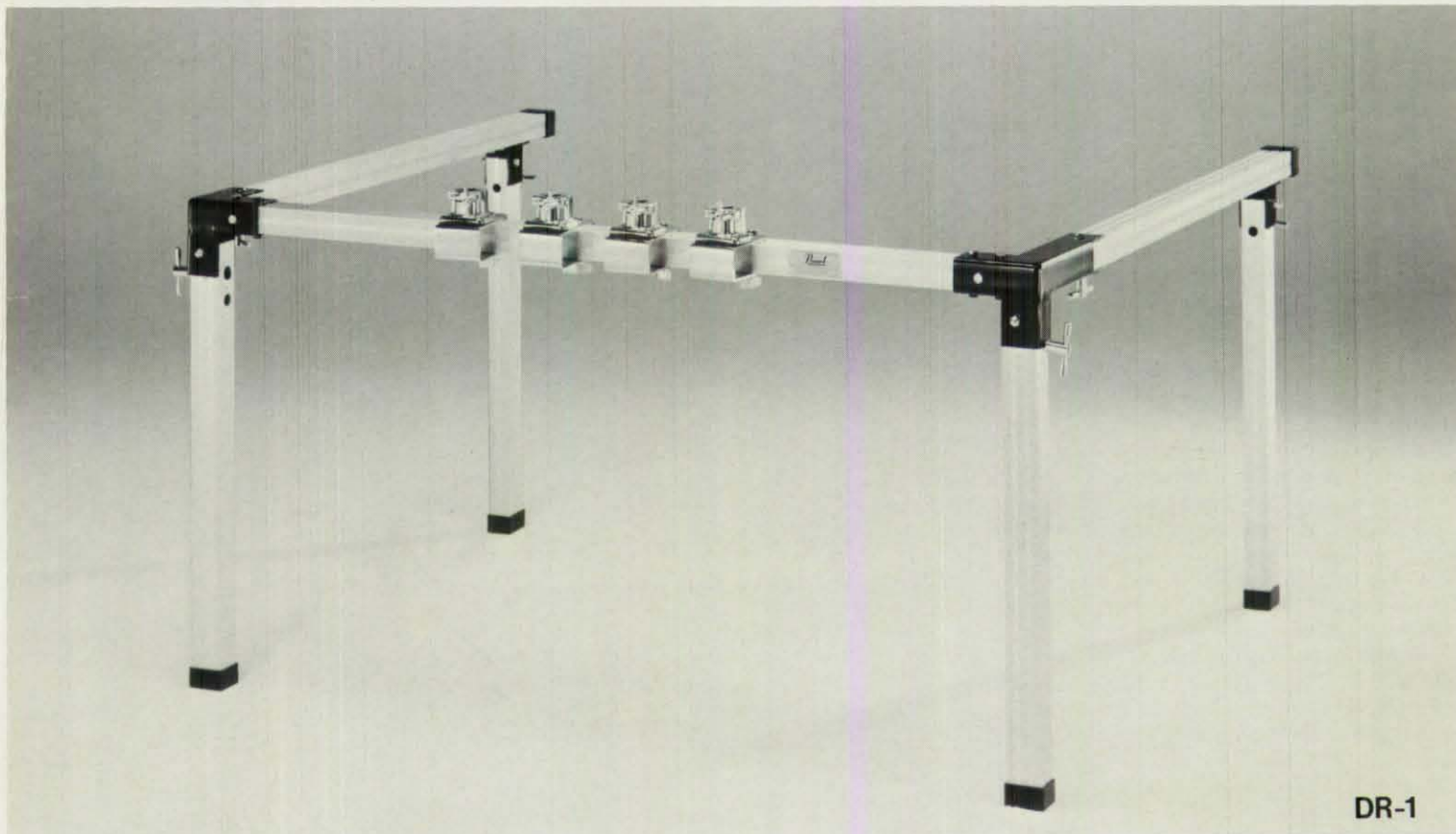
AX-20 Adaptor

Compact two hole adaptor securely clamps to pipe diameters from 5/8" through 1 1/8".



THE DRUM RACK

Instruction Manual



DR-1

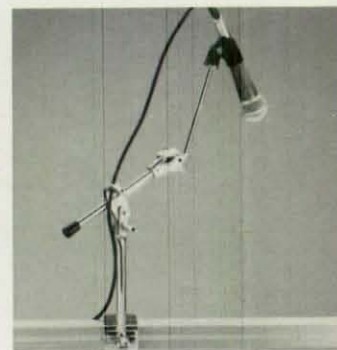
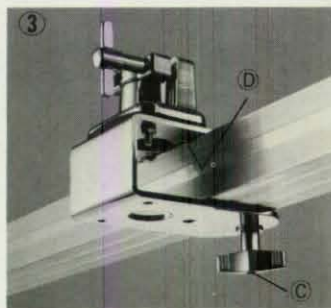
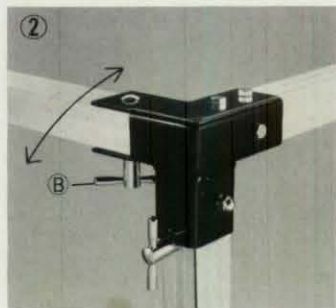
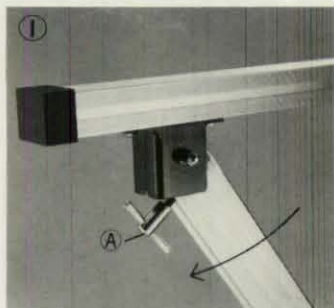
Quick and easy to assemble and tear down, The Drum Rack, DR-1, provides you with a variety of smooth settings. Legs and arms should be put together first.

Loosen handle nut (A) to open the legs and affix to the receiving bracket (see photo ①). Fix the four legs first, then open the arms to the desired angle and tighten the handle nuts (B) (see photo ②).

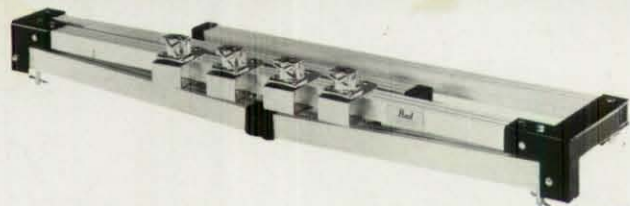
Installation and removal of pipe clamps is easily achieved. When installing clamps, the two underside stoppers (D) should hit the post before you tighten the handle nut (C) (see photo ③).

After you have the rack put together, attach the clamps to receive tom holders, cymbal holders, etc. to complete your set-up.

Four pieces of PC-1 clamps are included as standard equipment. Additional clamps are optional and may be ordered as required.



When microphones are necessary, the PC-2 clamp can be used to install the MH-80 microphone holder.



Specifications are subject to change without notice.

Pearl Dealer